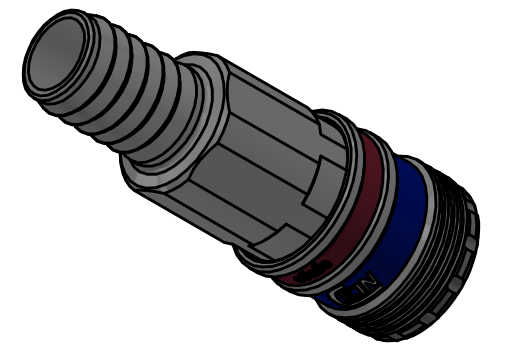
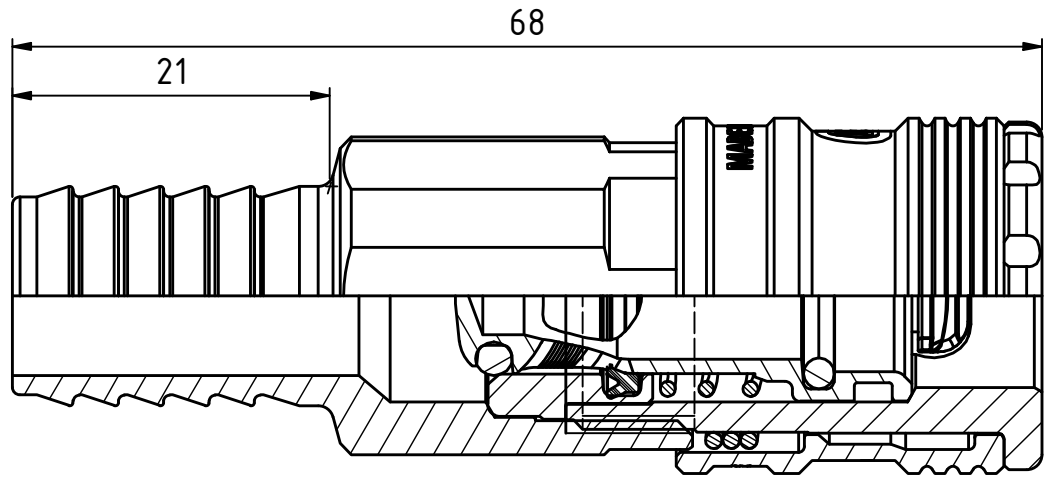
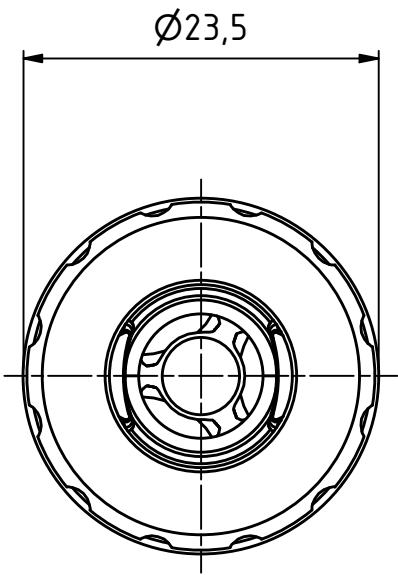
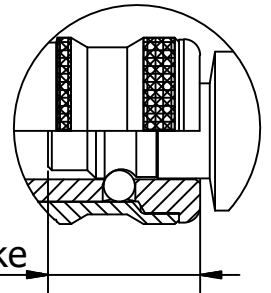
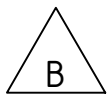


This document must not be copied, either completely or in part, without permission. Any infringement will have legal consequences ©



1 : 1



Connection stroke

11	1	Spring	Stainless steel
10	1	Spring	Stainless steel
9	1	Back part	Steel, Zn 8 Silver
8	1	Lip seal	NBR
7	1	Valve seat	Brass
6	1	O-ring	NBR
5	1	O-ring	NBR
4	1	Valve	Brass
3	1	Locking sleeve	Hard. steel, Zn 8 Silver
2	2	Hook	Hard. Steel, Zn-Ni 8 transp.
1	1	Front part	Hard. Steel, Zn 8 silver
Item	Qty	Description	Material

Product No.	103202005
Nominal flow Ø DN:	7,6 mm
Connection Stroke:	19,2 mm
Max WP Connected:	16 bar
Min BP Connected:	64 bar
Temperature range:	-20°C - +100°C
Connection:	Hose 1/2" 13mm
Sealing material:	NBR
Hexagon:	20

State	Production	Drawn	CABALAL	Checked	LIJA	Approved	JOOL	Date	2024-06-17	
		Coupling 1/2" hose NBR - eSafe		ECO	001912	Former No.		Scale	2 : 1	
				Drawing No.	103202005		Issue	B	Sheet	1 / (1)

