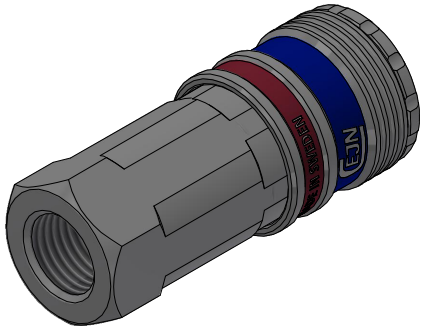
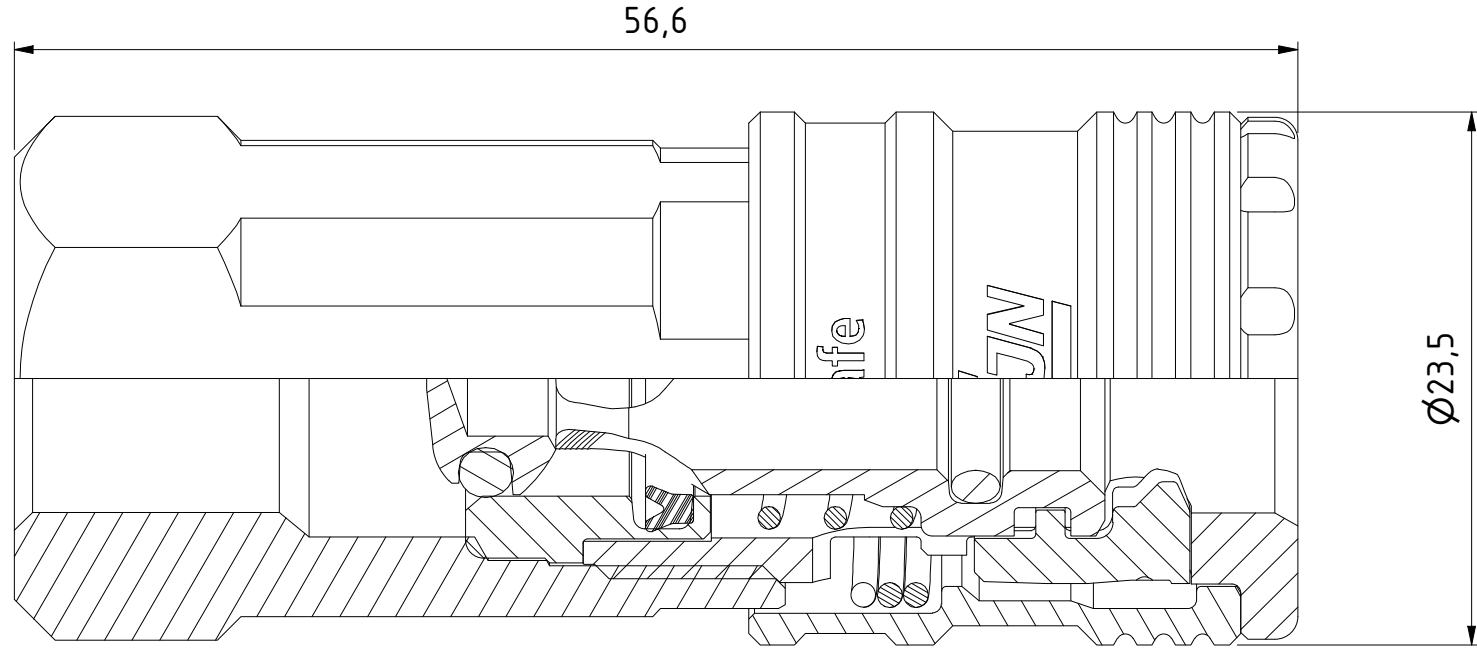


This document must not be copied, either completely or in part, without permission. Any infringement will have legal consequences ©



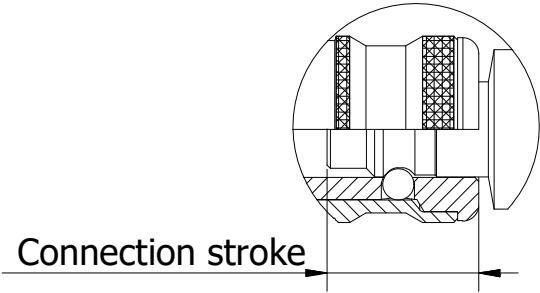
1 : 1



B	11	1	Valve	Aluminum Lead Free
	10	1	Valve seat	Aluminium Lead Free
	9	1	Spring	Stainless steel
	8	1	Spring	Stainless steel
	7	1	Lip seal	NBR
	6	1	O-ring	NBR
	5	1	O-ring	NBR
	4	1	Locking sleeve	Hard. steel, Zn 8 Silver
	3	2	Hook	Hard. Steel, Zn-Ni 8 transp.
	2	1	Front part	Hard. Steel, Zn 8 Silver
	1	1	Back part	Steel, Zn 8 silver

Item	Qty	Description	Material			
State		Production	Drawn	Checked	Approved	Date
			CABALAL	LIJA	OSJO	2025-01-20
ECO			Former No.		Scale	
002136					3 : 1	
Drawing No.				Issue	Sheet	
103102202				B	1 / (1)	

Product No.	103102202
Nominal flow Ø DN:	5,3 mm
Connection Stroke:	19,5 mm
Max WP Connected:	16 bar
Min BP Connected:	140 bar
Temperature range:	-20°C - +100°C
Connection:	G 1/4" Fem
Sealing material:	NBR
Hexagon:	20



Connection stroke



6 5 4 3 2 1

D

C

B

A