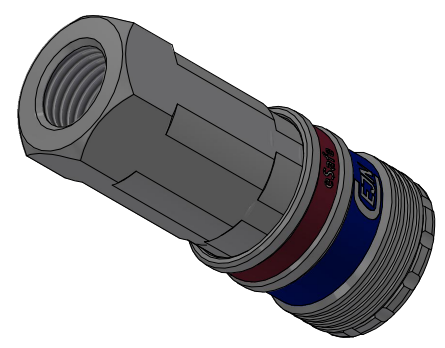
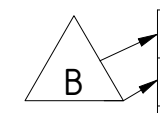
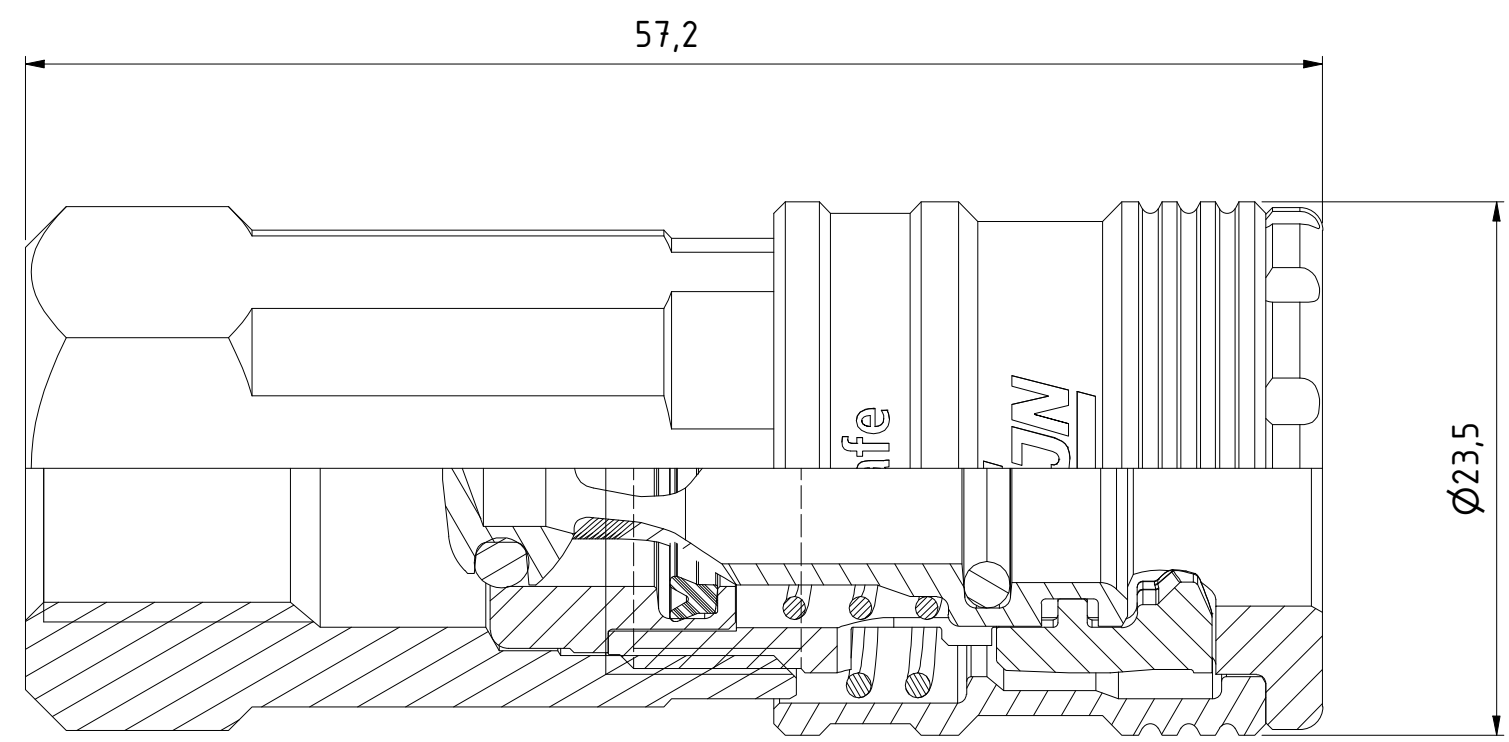


This document must not be copied, either completely or in part, without permission. Any infringement will have legal consequences ©

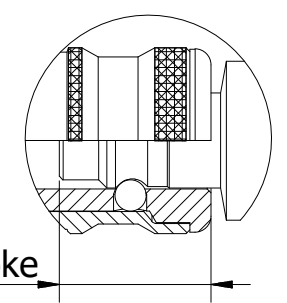


1 : 1



11	1	Valve seat	Aluminium Lead Free
10	1	Valve	Aluminium Lead Free
9	1	Spring	Stainless steel
8	1	Spring	Stainless steel
7	1	Lip seal	NBR
6	1	O-ring	NBR
5	1	O-ring	NBR
4	1	Locking sleeve	Hard. steel, Zn 8 Silver
3	2	Hook	Hard. Steel, Zn-Ni 8 transp.
2	1	Front part	Hard. Steel, Zn 8 silver
1	1	Back part	Steel, Zn 8 silver

Product No.	103202202
Nominal flow Ø DN:	7,6 mm
Connection Stroke:	19,2 mm
Max WP Connected:	16 bar
Min BP Connected:	140 bar
Temperature range:	-20°C - +100°C
Connection:	G 1/4" Fem
Sealing material:	NBR
Hexagon:	20

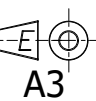


Connection stroke

Item	Qty	Description	Material
State		Production	Drawn CABALAL
Checked		LIJA	Approved OSJO
Date		2025-01-30	
Scale		3 : 1	
Former No.		ECO 002136	
Drawing No.		103202202	
Issue		B	
Sheet		1 / (1)	



Coupling G 1/4" fem NBR - eSafe



A3