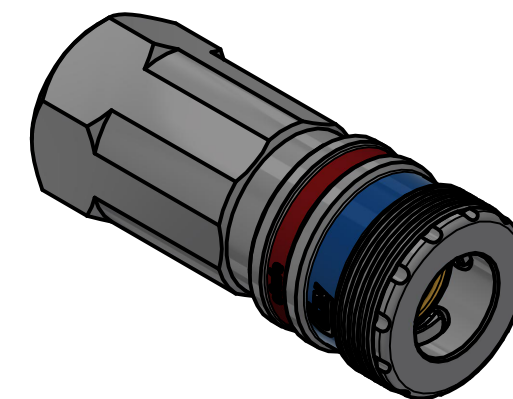
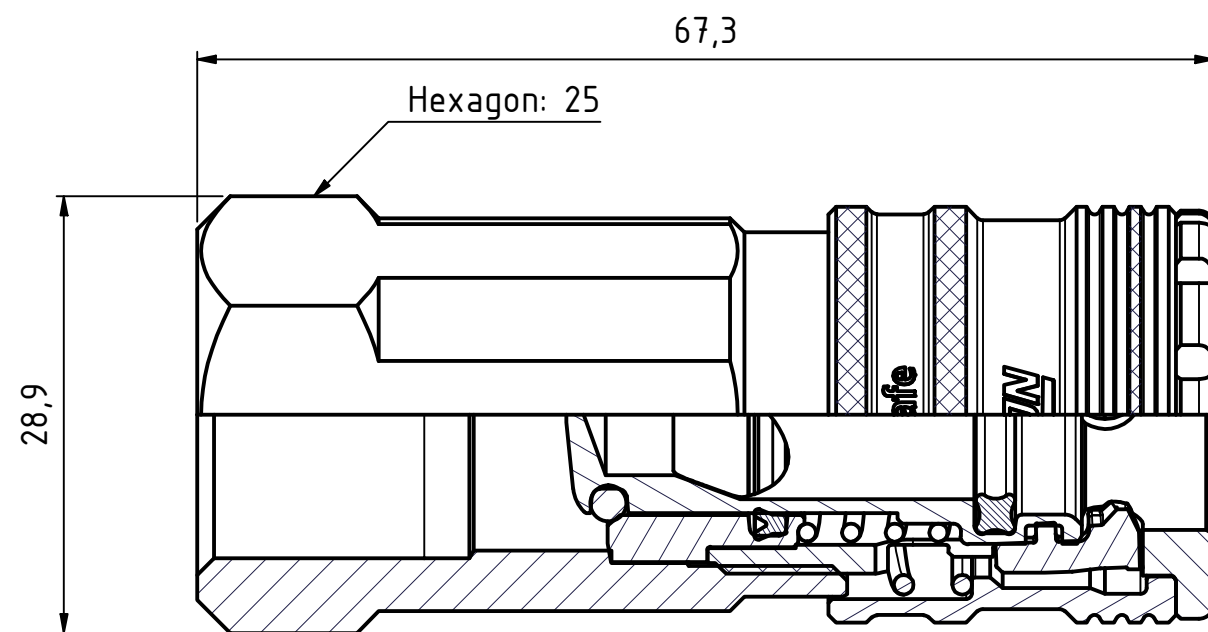
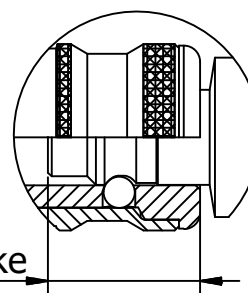


This document must not be copied, either completely or in part, without permission. Any infringement will have legal consequences ©




1 : 1



Connection stroke

Product No.	104102205
Nominal flow \varnothing DN:	10,4 mm
Connection Stroke:	18,9 mm
Max WP Connected:	16 bar
Min BP Connected:	140 bar
Temperature range:	-20°C - +100°C
Connection:	G 1/2" Female
Sealing material:	NBR

Item	Qty	Description	Material
11	1	Spring	Stainless Steel
10	1	Spring	Stainless Steel
9	1	Lip seal	NBR
8	1	Valve seat	Brass
7	1	Quad-Ring	NBR
6	1	O-ring	NBR
5	1	Valve	Brass
4	1	Locking sleeve	Hard. Steel, Zn 8 silver
3	3	Hook	Hard. Steel, Zn-Ni 8 transp.
2	1	Front part	Hard. Steel Zn 8 Silver
1	1	Back part	Steel, Zn 8 Silver

	Scale	2 : 1	Drawn	CABLHE	Checked		Appr.	JOOL	ECO	11416	Date	2016-09-12		
	Assembly Drawing 104102205								Drawing No.			Issue	B	Sheet

A3