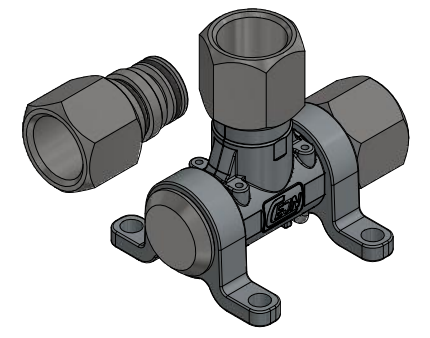
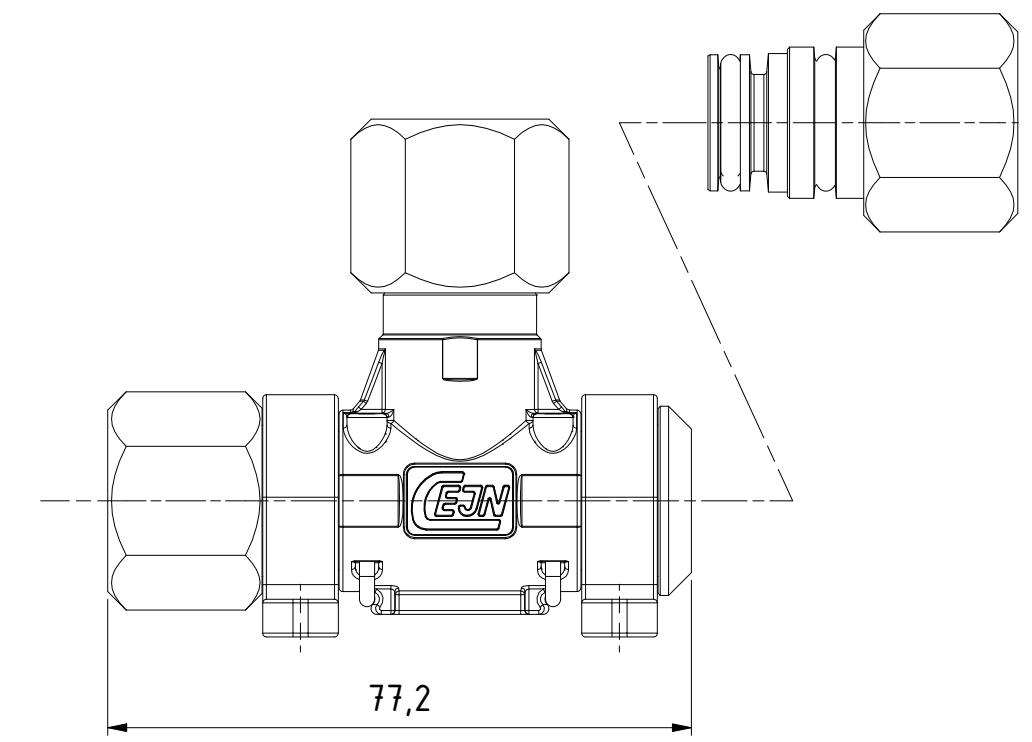
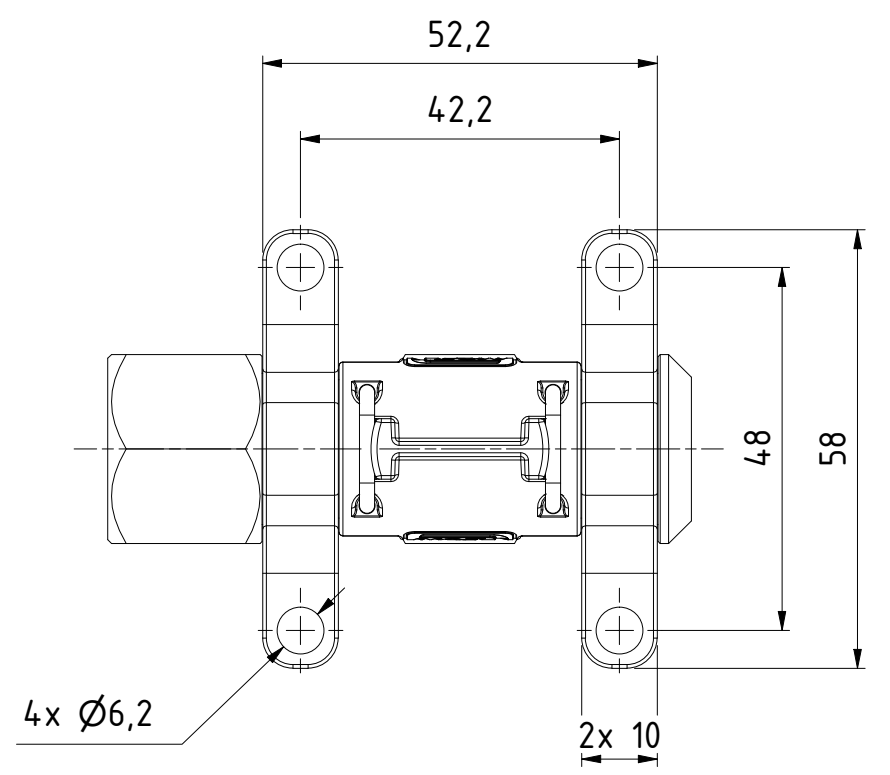
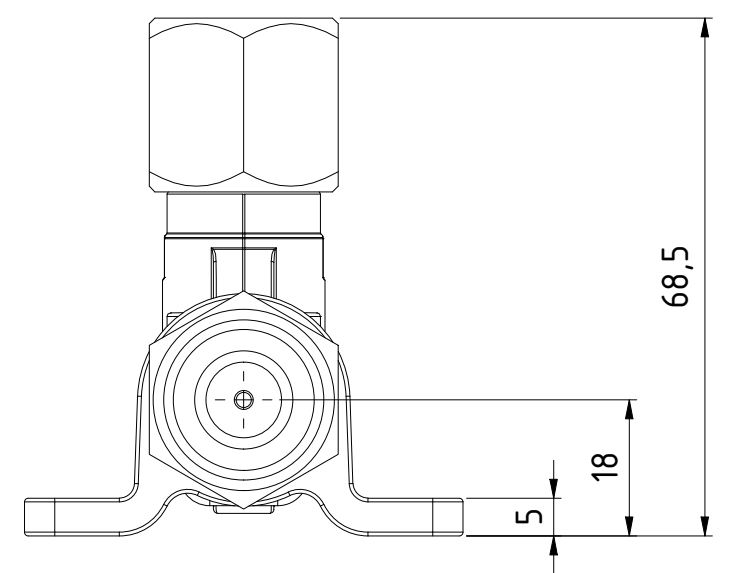


This document must not be copied, either completely or in part, without permission. Any infringement will have legal consequences ©

A3



1 : 2



Product No.	199029991
Nominal flow \varnothing DN:	10 mm
Max WP Connected:	16 bar
Min BP Connected:	64 bar
Temperature range:	-20°C - +100°C
Connection:	G 1/2" female
Sealing material:	NBR
Hexagon:	25



Scale	1 : 1	Drawn	MATJOH	Checked	ANLA	Appr.	JOOL	ECO	Date	2022-08-08
Drawing No.								Issue		Sheet
Assembly Drawing								509029991		AB 1/(1)