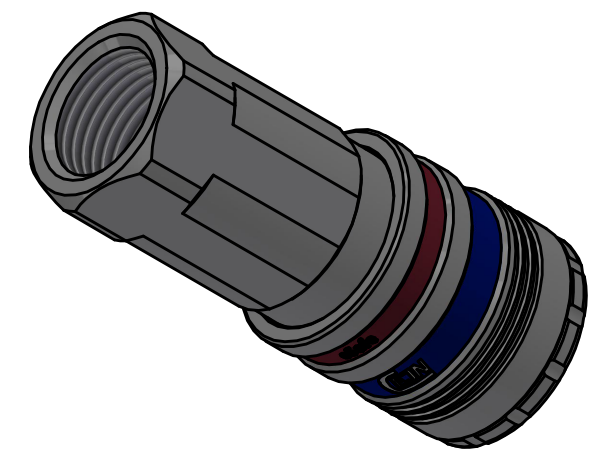
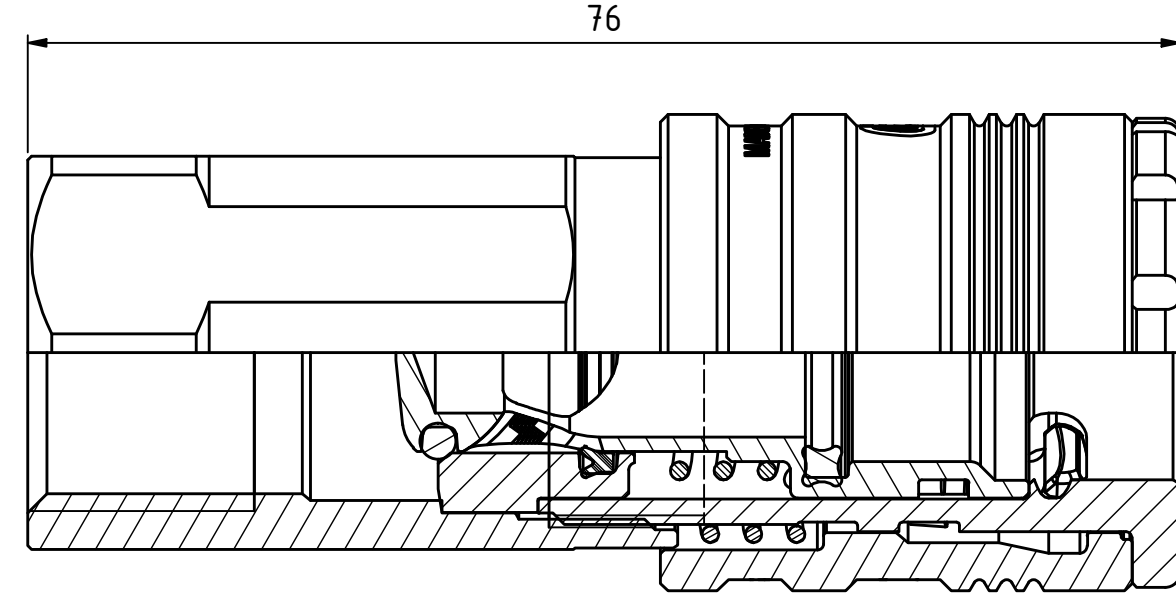
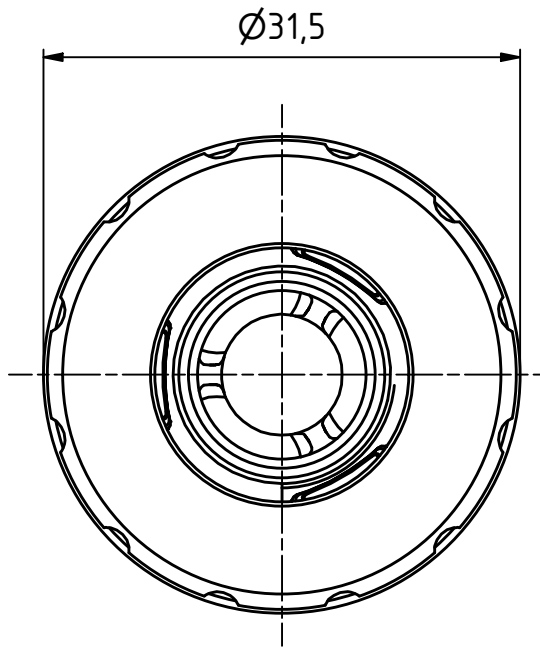
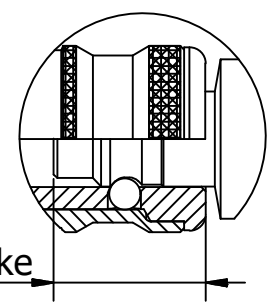


This document must not be copied, either completely or in part, without permission. Any infringement will have legal consequences ©




1 : 1



Connection stroke

Product No.	105502205
Nominal flow Ø DN:	11 mm
Connection Stroke:	27,9 mm
Max WP Connected:	16 bar
Min BP Connected:	140 bar
Temperature range:	-20°C - +100°C
Connection:	G 1/2"
Sealing material:	NBR
Hexagon:	26

Item	Qty	Description	Material
11	1	Spring	Stainless Steel
10	1	Spring	Stainless steel
9	1	Back part	Steel, Zn 8 Silver
8	1	Lip seal	NBR
7	1	Valve seat	Brass
6	1	Quad-Ring	NBR
5	1	O-ring	NBR
4	1	Valve	Brass
3	1	Locking sleeve	Hard. Steel Zn 8 silver
2	3	Hook	Hard. Steel Zn-Ni 8 transp.
1	1	Front part	Hard. Steel Zn 8 silver

State	Production	Drawn	CABALAL	Checked	LIJA	Approved	JOOL	Date	2024-08-07
ECO		Former No.		Scale		2 : 1			
 Coupling G 1/2" fem NBR						Drawing No.		Issue	Sheet
						105502205		A	1 / (1)

