

This document must not be copied, either completely or in part, without permission. Any infringement will have legal consequences ©

D

C

B

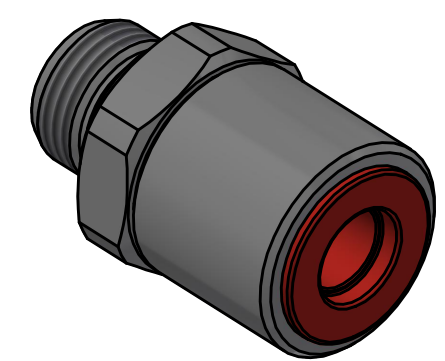
A

D

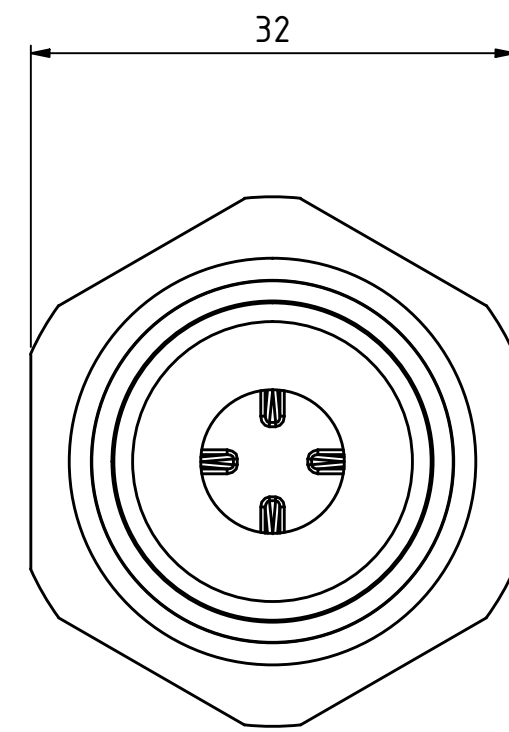
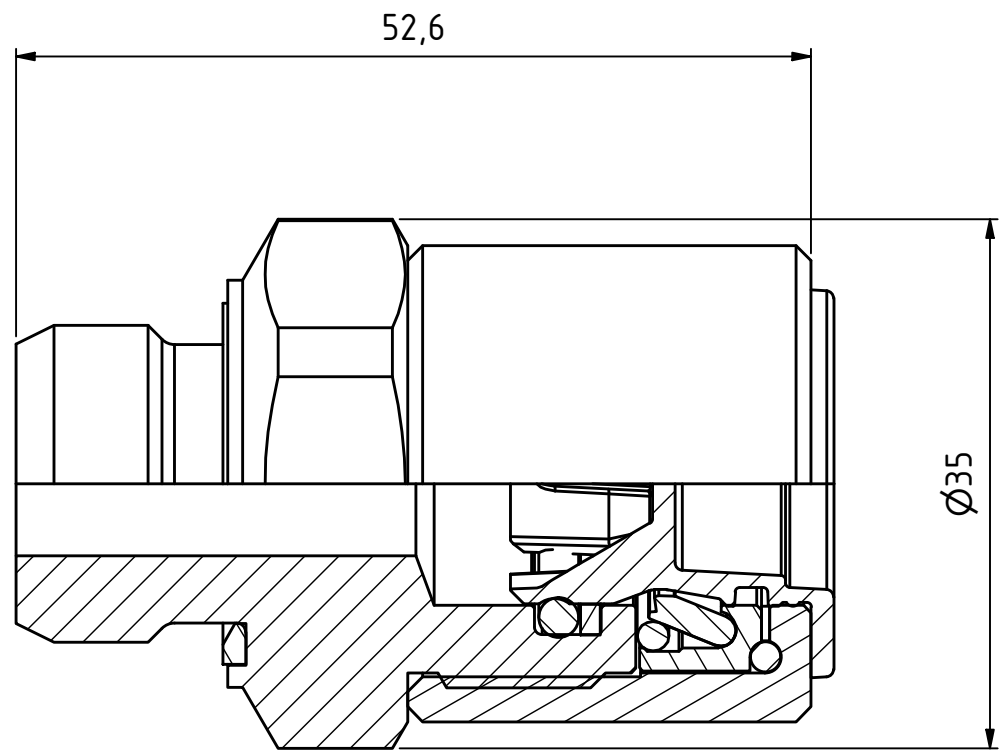
C

B

A




1 : 1



Product No. 148600808	
Nominal flow \varnothing DN:	9,5 mm
Connection Stroke:	mm
Max WP Connected:	350 bar
Max WP Disconnected:	bar
Min BP Connected:	1400 bar
Min BP Disconnected:	bar
Temperature range:	-30°C - +100°C
Connection:	BSP 1/2" Male
Sealing material:	NBR
Hexagon:	

3	1	Semi ass - back part, NBR	
2	1	Protection plug	LDPE
1	1	Semi Ass Swivel	
Item	Qty	Description	Material

State Production		Drawn CABJoEr		Checked	Approved	Date 2018-04-16	
 Weo svivel DN12 NBR. BSP 1/2"				ECO 12054	Former No.		Scale 1 : 1
				Drawing No. 148600808		Issue C	Sheet 1/(1)



6

5

4

3

2

1