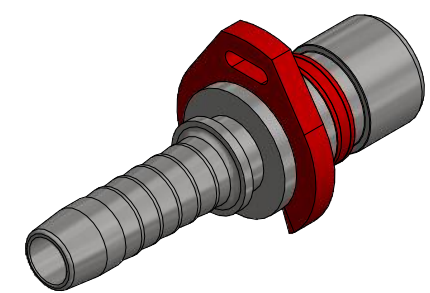
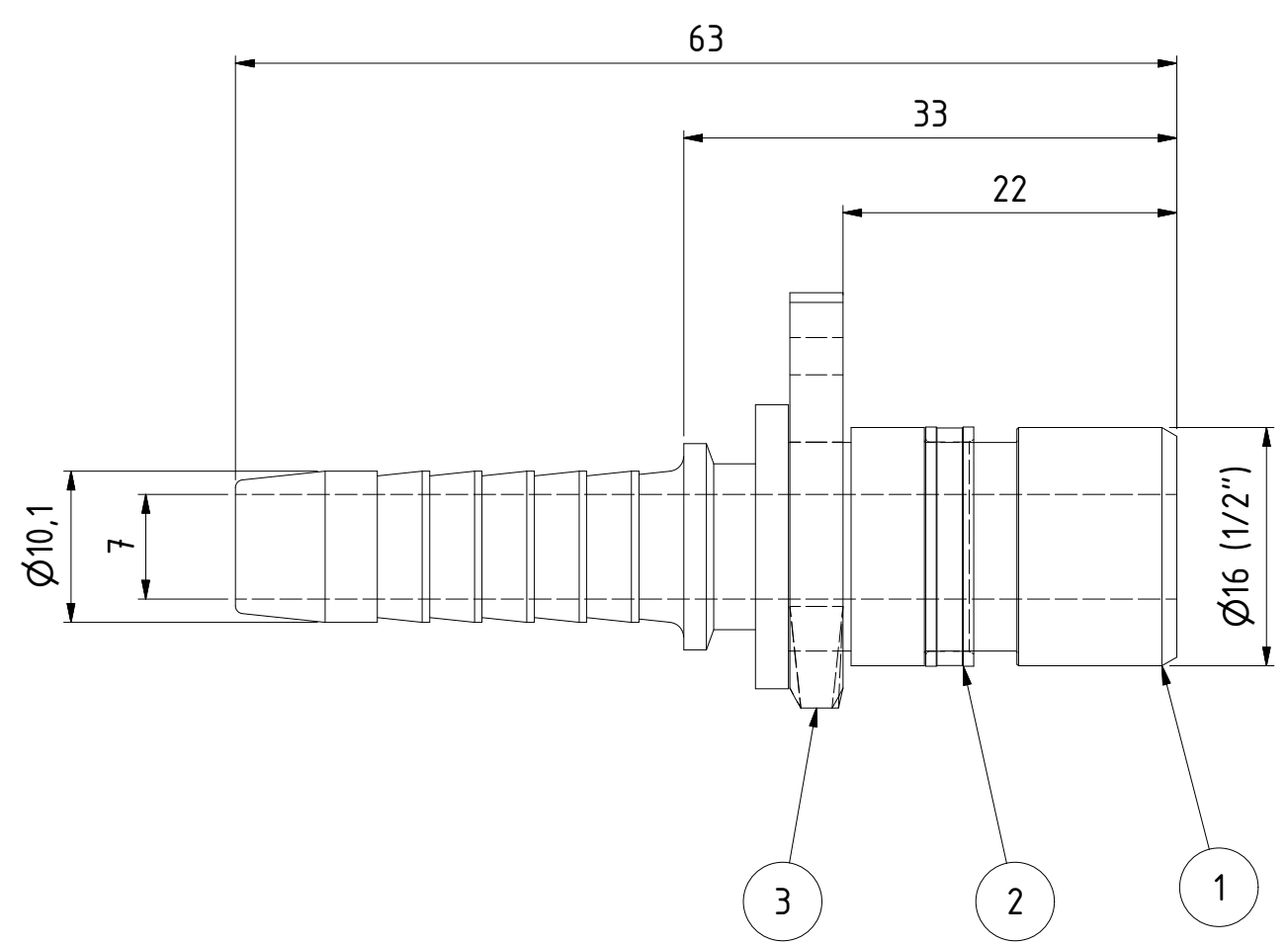


This document must not be copied, either completely or in part, without permission. Any infringement will have legal consequences ©




1 : 1



Product No.	147100806
Nominal flow Ø DN:	7,0 mm
Connection Stroke:	mm
Max WP Connected:	350 bar
Max WP Disconnected:	bar
Min BP Connected:	1400 bar
Min BP Disconnected:	bar
Temperature range:	-30°C - +100°C
Connection:	Hose 3/8" 10,1mm
Sealing material:	
Hexagon:	

Item	Qty	Description	Material
3	1	Assembly Stop	POM
2	1	Release ring	POM, Red
1	1	Nipple body	Hardn. steel, FeZn5 c 2C

Scale	2 : 1	Drawn	Cabalsj	Checked		Appr.		ECO	Date	2018-11-09	
 Assembly Drawing 507100806								Issue	AA	Sheet	1 / (1)

