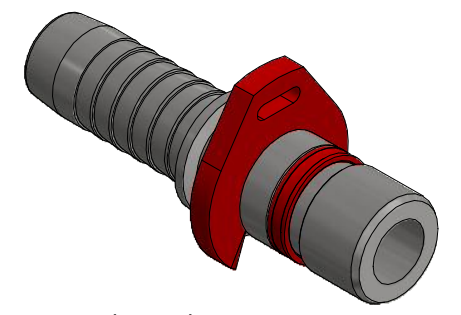
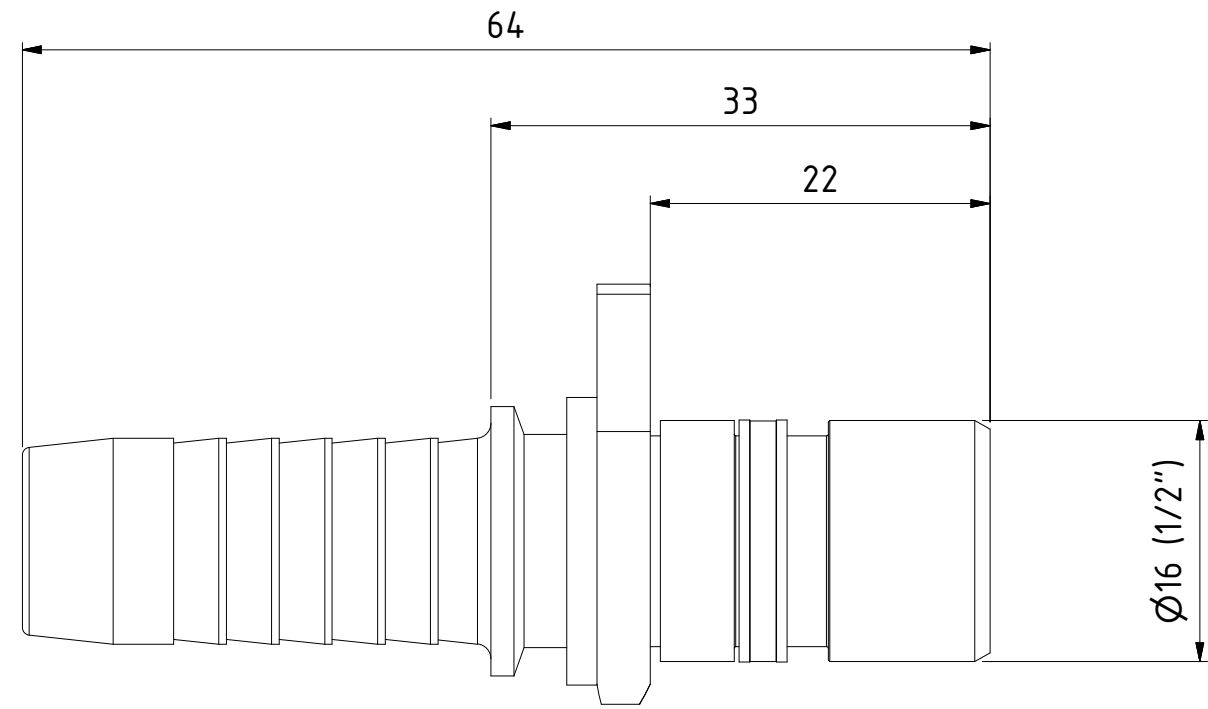


This document must not be copied, either completely or in part, without permission. Any infringement will have legal consequences ©



1 : 1



Product No.	147100808
Nominal flow $\varnothing$ DN:	9,5 mm
Connection Stroke:	mm
Max WP Connected:	350 bar
Max WP Disconnected:	bar
Min BP Connected:	1400 bar
Min BP Disconnected:	bar
Temperature range:	-30°C - +100°C
Connection:	Hose 1/2" 13,6mm
Sealing material:	
Hexagon:	

3	1	Assembly Stop	POM	095157016			
2	1	Release ring	POM, Red	095157005			
1	1	Nipple body	Hardn. steel, FeZn5 c 2C	095152205			
Item	Qty	Description	Material	Part Number			
		Scale	Drawn	Checked	Appr.	ECO	Date
		2 : 1	EP7				2017-04-24
			Drawing No. <b>507100808</b>		Issue <b>AB</b>	Sheet <b>1 / (1)</b>	

