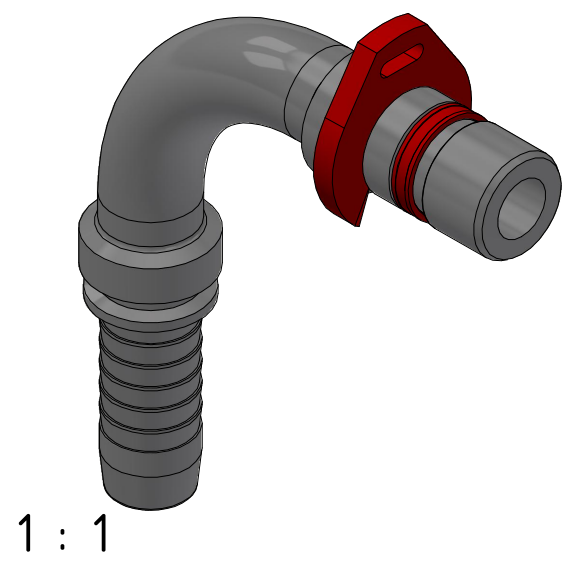
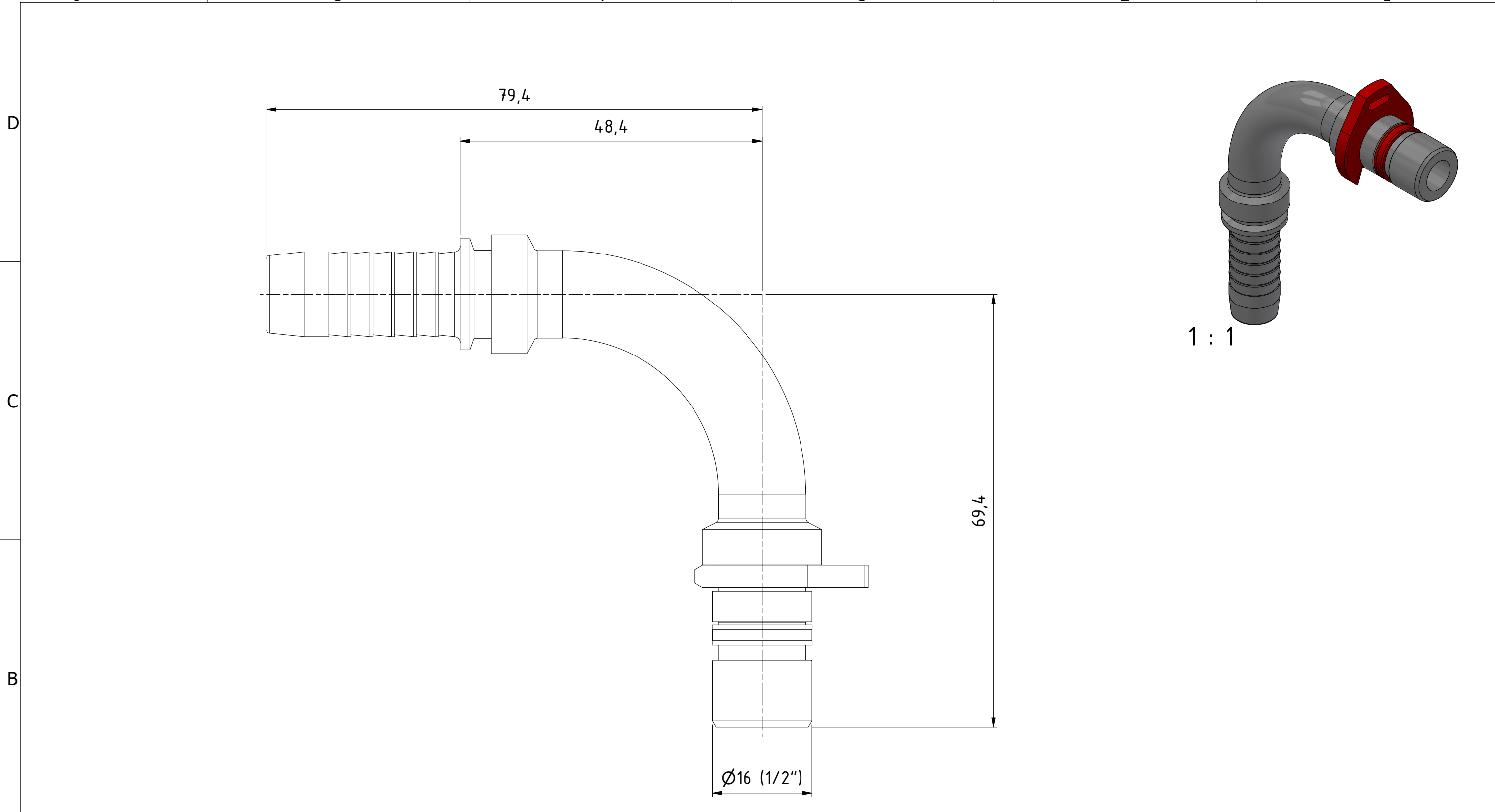
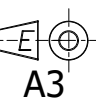


This document must not be copied, either completely or in part, without permission. Any infringement will have legal consequences ©



Product No. 147140808	
Nominal flow \varnothing DN:	9,0 mm
Connection Stroke:	mm
Max WP Connected:	350 bar
Max WP Disconnected:	bar
Min BP Connected:	1400 bar
Min BP Disconnected:	bar
Temperature range:	-30°C - +100°C
Connection:	Hose 1/2" 13,6mm
Sealing material:	
Hexagon:	



Drawn EP7	Checked	Approved	Date 2017-04-24	
WEO Nipple DN 12 90° + 1/2" hose R1/R2		Former No.	Scale 5 : 3	Sheet 1 / (1)
		Drawing No. 147140808		Issue B