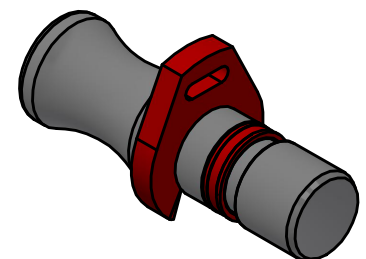
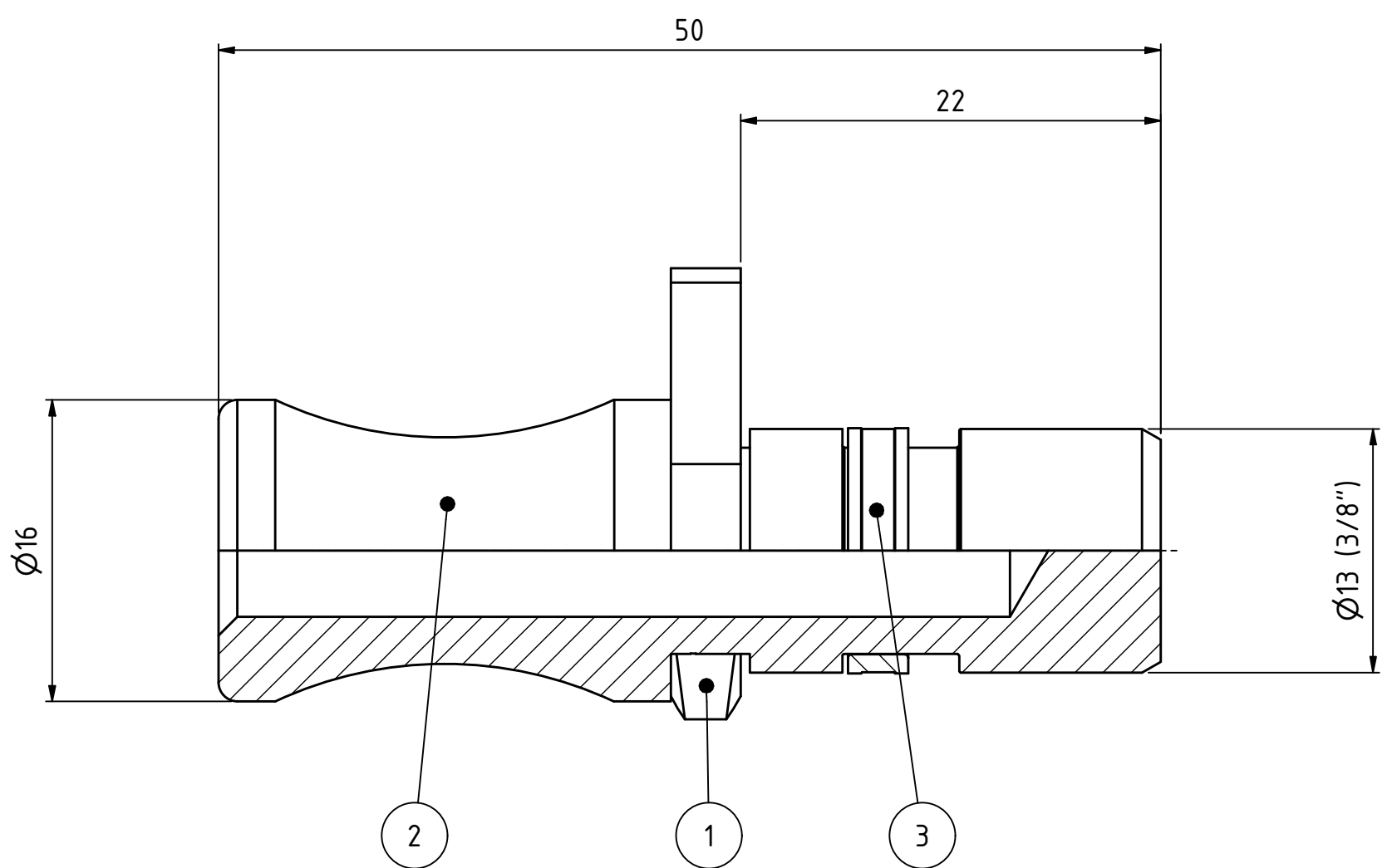


This document must not be copied, either completely or in part, without permission. Any infringement will have legal consequences ©




1 : 1



| | |
|--------------------------------|----------------|
| Product No. | 147230600 |
| Nominal flow \varnothing DN: | mm |
| Connection Stroke: | 22 mm |
| Max WP Connected: | 350 bar |
| Max WP Disconnected: | bar |
| Min BP Connected: | 1400 bar |
| Min BP Disconnected: | bar |
| Temperature range: | -30°C - +100°C |
| Connection: | |
| Sealing material: | |
| Hexagon: | |

| Item | Qty | Description | Material |
|------|-----|---------------|----------------------------|
| 3 | 1 | Release ring | POM |
| 2 | 1 | Nipple body | Hardn. steel, Zi 8, silver |
| 1 | 1 | Assembly stop | POM |

| | | | | | | | | | | |
|---|-----------------------------------|-------|-------|---------|---------|-------|-----|-------------|------------|-------|
|  | Scale | 3 : 1 | Drawn | cabpesv | Checked | Appr. | ECO | Date | 2016-06-03 | |
| | Assembly Drawing 507230600 | | | | | | | Drawing No. | AA | Sheet |



A3