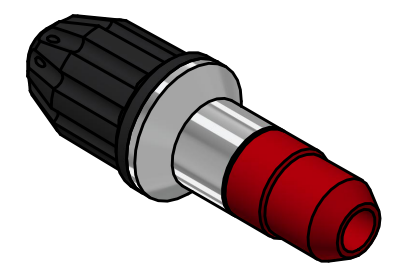
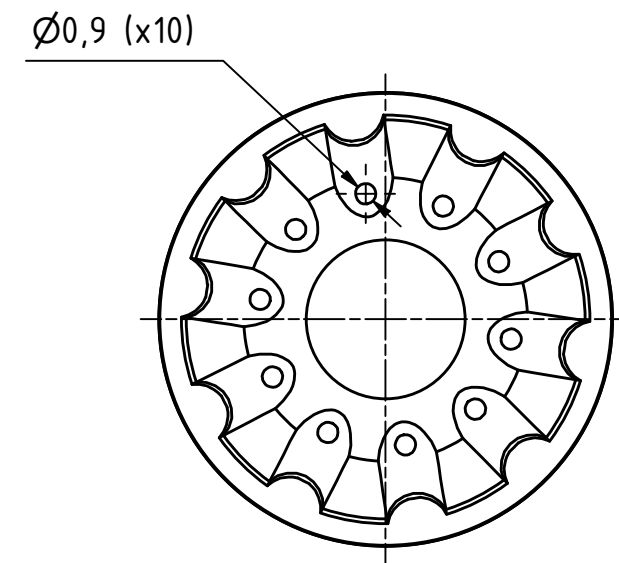
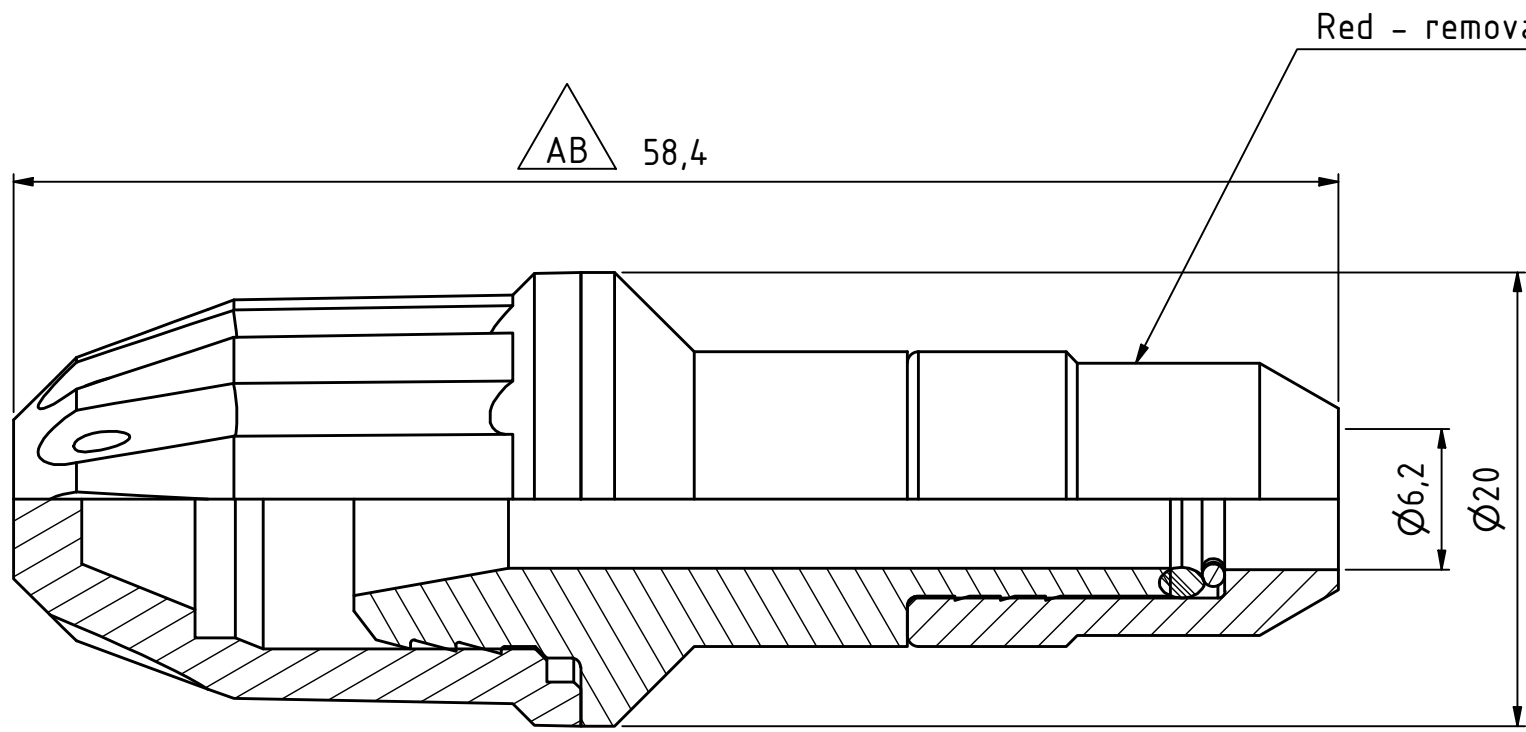


This document must not be copied, either completely or in part, without permission. Any infringement will have legal consequences ©



1 : 1



Silencer  
 Compliant with OSHA instruction STD 1-13.1  
 Sound level below 85 dB

Product No.	112089962
Nominal flow Ø DN:	mm
Connection Stroke:	mm
Max WP Connected:	16 bar
Min BP Connected:	bar
Temperature range:	-20°C - +60°C
Connection:	
Sealing material:	NBR
Hexagon:	

Item	Qty	Description	Material
5	1	Silencer Nozzle	Plastic
4	1	Nozzle adaptor	Aluminium
3	1	Wire coil	Stainless steel
2	1	O-ring	NBR
1	1	Sleeve	Plastic

	Scale	3 : 1	Drawn	CABLHE	Checked	OG	Appr.	JOOL	ECO	Date	2020-05-25
	<b>Assembly Drawing 112089962</b>								Issue	B	Sheet

