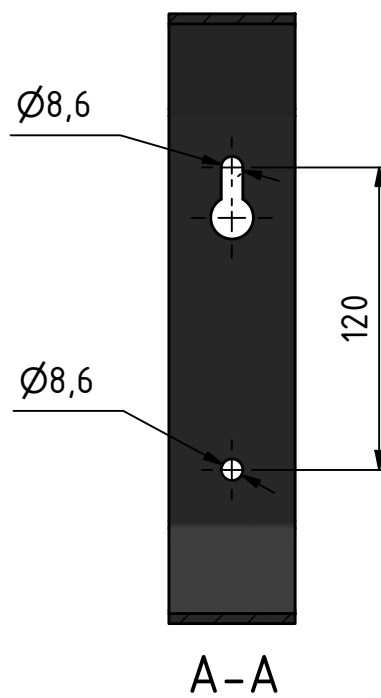
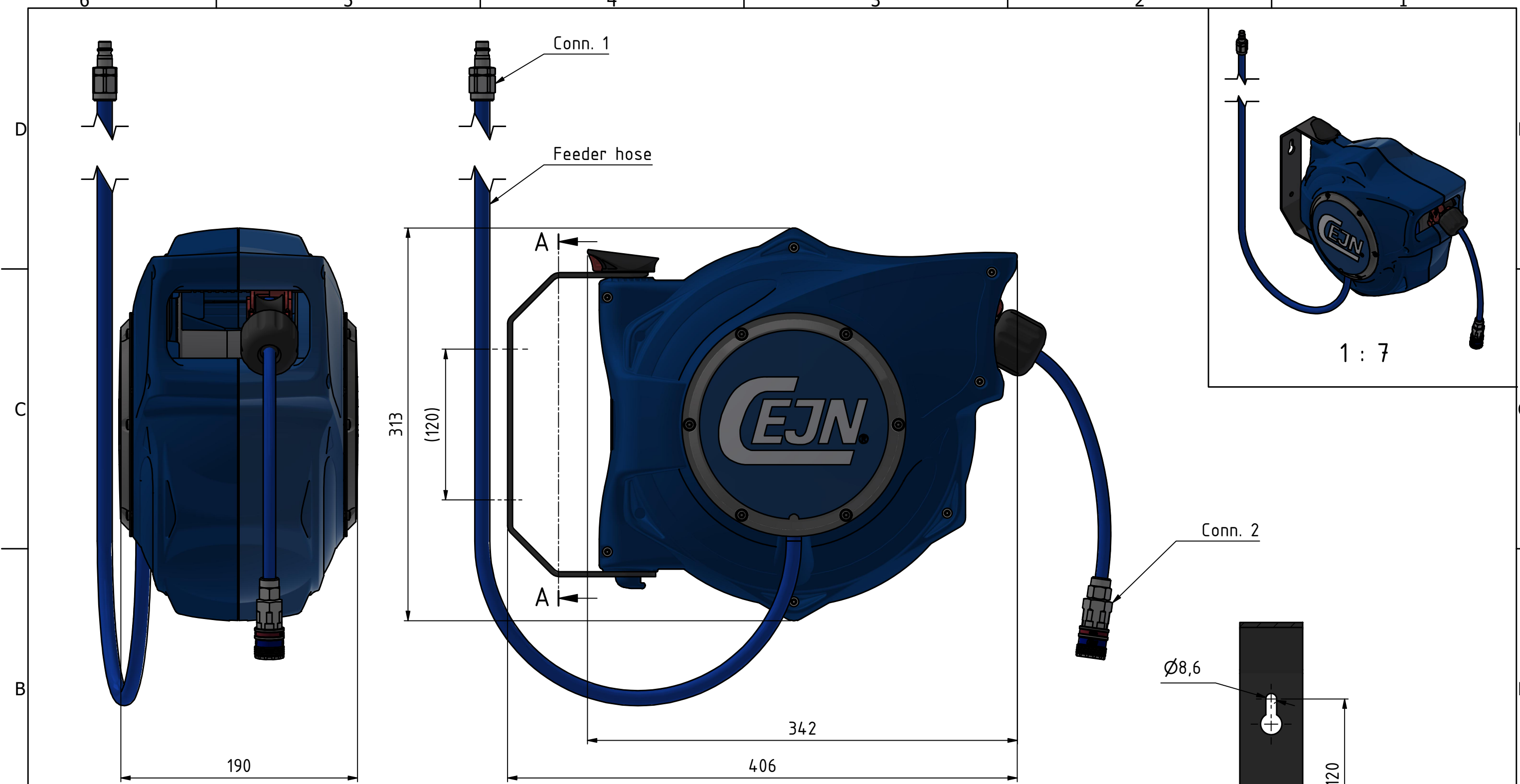


This document must not be copied, either completely or in part, without permission. Any infringement will have legal consequences ©



Product No.	199112012 - Small Reel Air
Hose dim. (ID x OD):	6,5x10 mm
Hose length:	10 m
Feeder hose length:	1,5 m
Hose material:	Braided PUR (ester based)
Temperature range:	-20°C - +60°C
Connection 1:	320-nipple
Connection 2:	eSafe 320
Sealing material:	NBR
Max WP Connected:	16 bar
Weight:	4,6 kg

	Scale	1 : 3	Drawn	CABLHE	Checked	ANLA	Appr.	JOOL	ECO	001594	Date
	Assembly Drawing 199112012							Drawing No.			Issue
										C	1 / (1)

A3